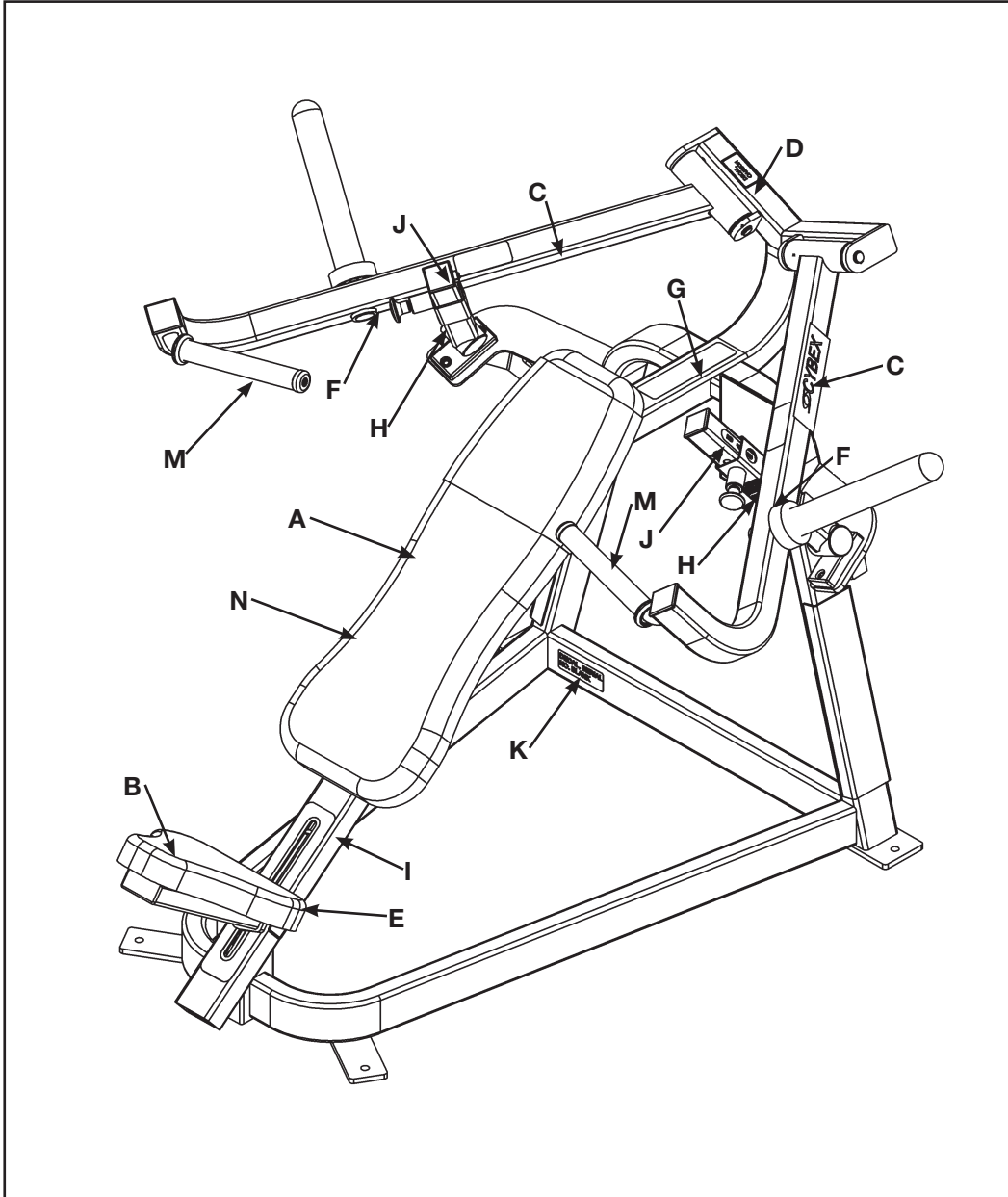


# CONVERGING PLATE LOADED INCLINE PRESS

PRODUCT NO. 5252



DESCRIPTION	PART NO.	DESCRIPTION	PART NO.
A. Back Cushion w/Wear Cover.....	██████████	G. Warning Decal .....	5220-364
B. Seat Cushion.....	4800-026	H. Caution Decal .....	8500-025
C. Cybex Decal <b>Black</b> .....	3900-445	I. Adjustable Seat Decal ..	5221-316
C. Cybex Decal Silver .....	3900-446	J. Adjusting Decal .....	5252-325
D. Caution Decal .....	4000Y316	K. Serial Number Decal .....	CM000202
E. Caution Decal .....	4520-362	L. Patent Pending Decal ...	CM000211
F. Warning Decal .....	5220-337	M. Grip .....	4605-502
		N. Wear Cover (Item A) .....	██████████

5252 - Converging Plate Loaded Incline Press

ITEM	QTY	PART NO.	DESCRIPTION
1	2	11040-440	Cybox Knob
2	2	08229	Dentent Pin
3	2	3900-445	Cybox Decal 1.00 Horiz. Black
3	2	3900-446	Cybox Decal 1.00 Horiz. Silver
3			Removed 7-03
4	1	4000Y316	Caution Decal
5	1	4520-212	Seat Roller
6	1	4520-213	Bracket
7	2	4520-331	Roller
8	1	4520-362	Caution Decal
9			Removed 7-03
10	2	5220-320	Pivot Shaft 7.06
11	2	5220-337	Warning Decal
12	1	5220-364	Warning Decal
13	2	5220-367	Plastic Spacer
14	1	5221-316	Adjustable Seat Decal
15	1	5251-204	Seat
16	1	5252-200	Frame
17	1	5252-202	Arm (LH)
18	1	5252-203	Arm (RH)
19	1	5252-205	Adjusting Tube
20	1	5252-206	Adjusting Tube
21	2	5252-325	Adjusting Decal
22	2	5252-326	Bumper 2.00 x 4.00
23	1	5252-598	Placard Decal
24	2	5330M040	Plug
25	2	5362-312	Bumper
26	2	5490P055	Weight Tube 12.00
27	2	8500-025	Caution Decal

ITEM	QTY	PART NO.	DESCRIPTION
28	4	BR030210	Retaining Ring 17mm
29	2	BS070201	Com Spring .56 x .66 1.50 L
30			Removed
31	1	CM000211	Patent Pending Decal
32	4	FB030232	Bearing 17mm
33	2	HC700430	BHSCS .375-16 x 2.50
34	4	JC702814	SHCS .375-16 x .625
35	2	HC702817	SHCS .375-16 x 1.00
36	2	HT102214	Phil Hex Washer
37	2	HF449063	Insert 3/4 x 1/4-20
38	2	HS347700	Washer, USS .375
39	2	JC700434	BHSCS .375-16 x 3.00
40	2	JC702812	SHCS .375-16 x .50
41	2	PN660200	Plastic Insert 1.00 Dia.-11 G
42	4	PP080207	Plastic Insert .437 Dia. 11 G
43	2	PP090200	Plastic Insert 1.75 Sq 10-14
44	1	PP090202	Plastic Insert 1.50 x 3.00 x 11 G
45	2	PP090210	Plastic Insert 2.00 Sq x 10-14 G
46	2	4605-502	Grip 1.38 OD x .94 ID
47	2	4605-501	Bumper .62 x .62 x .25
48A	1		Back Cushion w/Wear Cover
48B	1		Wear Cover
49	1	49000026	Seat Cushion
50	2	11090-374	End Cap
51	2	11090-376	Handle Grip Ring
52	1	51198	Strength Warranty Sheet (not shown)
53	2	JC620422	BHSCS .250-20 x 1.50
54	4	JS347400	Internal Tooth Lockwasher



5252 - Converging Plate Loaded Incline Press

